

Fig No: DA155A / SR 155A

1/4" ~ 2" (DN 8 ~ DN 50)

DA: Double Acting SR: Spring Return



Valve Specification :

Design Specification According to ANSI B16.34

Material : Stainless Steel, Carbon Steel or Special Alloy upon request

Blow-out-proof stem design & Anti-static design

Stem packing to comply with **TA-Luft** requirements

Actuator Mounting Shall be in accordance with ISO 5211 - direct mounting design

In-Line Maintenance

End connection: Threaded / Socket Weld / Butt Weld

Working Pressure : 1/2" ~ 1" 2000 Psi / 1-1/4" ~ 2" 1500 Psi

Temperature Range : -4 to 356 °F (-20 to 180 °C)

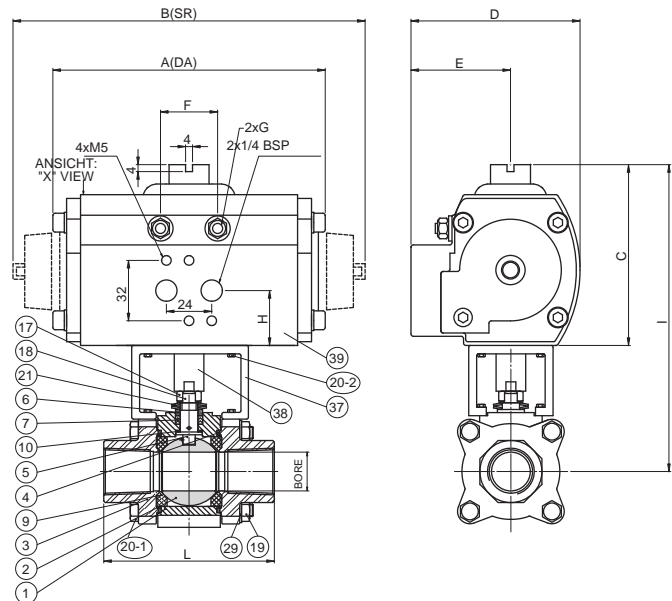
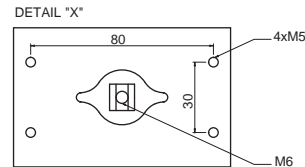
Pressure Test According to API 598

Shell test by water : 1/2" ~ 1" 3000 Psi / 1-1/4" ~ 2" 2250 Psi

Closure seat by Air : 80 ~ 100 Psi

MATERIALS LIST

NO	PART NAME	MATERIAL	Q'TY
1	BODY	ASTM A351 GR.CF8M	1
2	END CAP	ASTM A351 GR.CF8M	2
3	BALL	ASTM A351 GR.CF8M	1
4	BODY SEAL	PTFE.	2
5	STEM	SS316	1
6	FOLLOWER	SS304	1
7	STEM PACKING	NRG	1 SET
9	SEAT	RTFE.	2
10	THRUST WASHER	NRG	1
17	STEM NUT	SS304	1
18	TAB WASHER	SS304	1
19	BOLT NUT	SS304	4~12
20-1	BOLT	SS304	4~12
20-2	MOUNTING BOLT	SS304	8
21	BELLEVILLE WASHER	SS301	1 SET
29	BOLT WASHER	SS304	4~12
37	MOUNTING BRACKET	SS304	1
38	ADAPTER	SS304	1
39	PNEUMATIC ACTUATOR	ALUMINUM	1



DIMENSIONS

Unit:mm

SIZE	1/2"		3/4"		1"		1-1/4"		1-1/2"		2"	
Air Supply	80 PSI		80 PSI		80 PSI		80 PSI		80 PSI		80 PSI	
ACTUATOR	DA	SR	DA	SR	DA	SR	DA	SR	DA	SR	DA	SR
	C-125	C-250 SR3	C-125	C-250 SR4	C-250	C-450 SR4	C-250	C-1000 SR2	C-450	C-1000 SR4	C-450	C-2250 SR3
BORE	10.0		15.0		20.0		25.0		32.0		38.0	
A	120.0	**	120.0	**	144.3	**	144.3	**	149.2	**	149.2	**
B	**	194.6	**	194.6	**	205.6	**	250.0	**	250.0	**	355.0
C	84.0	99.0	84.0	99.0	99.0	118.0	99.0	141.0	118.0	141.0	118.0	161.0
D	62.2	81.4	62.2	81.4	81.4	95.0	81.4	119.0	95.0	119.0	95.0	119.0
E	33.7	47.8	33.7	47.8	47.8	51.5	47.8	64.5	51.5	64.5	51.5	75.5
F	24.0	32.5	24.0	32.5	32.5	32.5	32.5	46.2	32.5	46.2	32.5	54.0
G	MxP0.8	M5xP0.8	MxP0.8	M5xP0.8	M5xP0.8	M6xP1.0	M5xP0.8	M8xP1.25	M6xP1.0	M8xP1.25	M6xP1.0	M10xP1.5
H	23.5	29.7	23.5	29.7	29.7	30.2	29.7	33.5	30.2	33.5	30.2	39.0
I	133.0	148.0	137.0	152.0	155.0	174.0	159.0	201.0	185.3	208.3	181.3	250.3
L	71.1		94.0		108.0		115.3		128.0		151.1	