

**Fig No:EL-255FS**

API 607 4th Fire Safe Approved  
1/4" ~ 2" ( DN 8 ~ DN 50 )

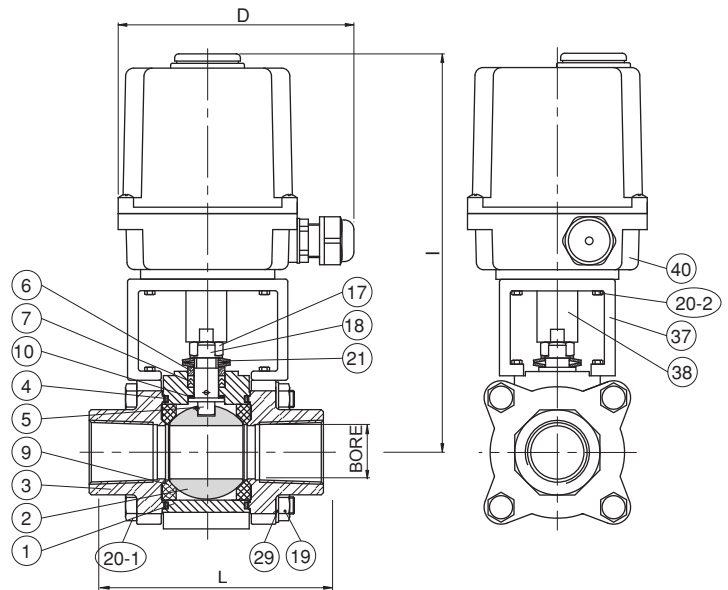


**Valve Specification :**

**Design Specification According to ANSI B16.34 Class 600**  
**Fire safe shall be in accordance with API 607**  
 Material : Stainless Steel, Carbon Steel or Special Alloy upon request  
 Blow-out-proof stem design & Anti-static design  
 Stem packing to comply with **TA-Luft** requirements  
 Actuator Mounting shall be in accordance with ISO 5211  
 In-Line Maintenance  
 End Connection: Threaded / Socket Weld / Butt Weld  
 Working Pressure : 1/2" ~ 1" 2000 Psi / 1-1/4" ~ 2" 1500 Psi  
 Temperature Range : -4 to 356 °F ( -20 to 180 °C )  
 Pressure Test According to API 598  
 Shell test by water : 1/2" ~ 1" 3000 Psi / 1-1/4" ~ 2" 2250 Psi  
 Closure seat by Air : 80 ~ 100 Psi

**MATERIALS LIST**

NO	PART NAME	MATERIAL	Q'TY
1	BODY	ASTM A351 GR.CF8M	1
2	END CAP	ASTM A351 GR.CF8M	2
3	BALL	ASTM A351 GR.CF8M	1
4	BODY SEAL	GRAPHITE	2
5	STEM	SS316	1
6	FOLLOWER	SS304	1
7	STEM PACKING	GRAPHITE	1 SET
9	SEAT	RTFE.	2
10	THRUST WASHER	GRAPHITE + RTFE.	1
17	STEM NUT	SS304	1
18	TAB WASHER	SS304	1
19	BOLT NUT	SS304	4~12
20-1	BOLT	SS304	4~12
20-2	MOUNTING BOLT	SS304	8
21	BELLEVILLE WASHER	SS301	1 SET
29	BOLT WASHER	SS304	4~12
37	MOUNTING BRACKET	SS304	1
38	ADAPTER	SS304	1
40	ELECTRIC AUTUATOR	NYLON	1



**DIMENSIONS**

Unit:mm

SIZE	1/4"				3/8"				1/2"				3/4"				1"				1-1/4"				1-1/2"				2"			
	UMS		UM-1		UMS		UM-1		UMS		UM-1		UMS		UM-1		UMS		UM-1		UM-1		UM-2		UM-2		UM-3					
ELECTRIC FIG.	110 VAC	220 VAC	24 VAC	24 DVC	110 VAC	220 VAC	24 VAC	24 DVC	110 VAC	220 VAC	24 VAC	24 DVC	110 VAC	220 VAC	24 VAC	24 DVC	110 VAC	220 VAC	24 VAC	24 DVC	110 VAC	220 VAC	24 VAC	24 DVC	110 VAC	220 VAC	24 VAC	24 DVC	110 VAC	220 VAC	24 VAC	24 DVC
VOLTAGE	110 VAC	220 VAC	24 VAC	24 DVC	110 VAC	220 VAC	24 VAC	24 DVC	110 VAC	220 VAC	24 VAC	24 DVC	110 VAC	220 VAC	24 VAC	24 DVC	110 VAC	220 VAC	24 VAC	24 DVC	110 VAC	220 VAC	24 VAC	24 DVC	110 VAC	220 VAC	24 VAC	24 DVC	110 VAC	220 VAC	24 VAC	24 DVC
BORE	10.1				10.0				15.0				20.0				25.0				32.0				38.0				50.0			
D	136.2	136.2	136.2	148.0	136.2	136.2	136.2	148.0	136.2	136.2	136.2	148.0	136.2	136.2	136.2	148.0	136.2	136.2	136.2	148.0	148.0	148.0	148.0	148.0	148.0	148.0	148.0	148.0	148.0	148.0	200.0	200.0
I	146.8	146.8	146.8	193.3	147.3	147.3	147.3	193.8	146.5	146.5	146.5	193.0	150.5	150.5	150.5	197.0	200.0	200.0	200.0	200.0	204.0	204.0	204.0	204.0	252.3	252.3	252.3	252.3	274.3	274.3	254.3	254.3
L	64.8				64.8				72.5				85.4				105.3				111.0				127.3				142.8			