



Swing Check Valves SSC Series

Suited for safe non-return flow control of corrosive fluidic media to be handled in process piping systems. Valves can be mounted horizontally or vertically between flanges acc. to DIN PN10/16 or ANSI 150lbs.

Testing / Marking

- Pressure- and tightness testing acc. to EN 12266-1, leakage rate A, and spark testing at 35 kV to assure lining integrity. Marking of valves on body and name plate acc. to EN 19.
- Material- resp. test certificate acc. to EN 10204-3.1



Type **SSC** plastomer-lined

- 2- or 3-piece bodies made of carbon steel, RAL 5005 signal-blue epoxy-coating or compl. made of stainless steel SS316L
- Linings made of PFA, PFA-AS (conductive) or PVDF
- Discs SS316L PFA-encapsulated or solid made of SS316L, Titanium Gr.2 or Hastelloy®
- Easy installation into existing piping systems, for silent operation, maintenance-free
- DN40 – DN150 PN16, DN200 – DN600 PN10
- Op. pressure max. 10 bar, Temp. –40°C/+200°C
- Face to face acc. to EN 558-1, range 20

CE Conformity acc. to European Pressure Equipment Directive 97/23/EC (PED)



Type **SSCP** fully plastic

- 1-piece plastic bodies and solid discs made of PVDF or PP
- Discs with inserted O-ring assuring tightness and silent operation
- Flange sealing by means of inserted O-rings, no need of additional gaskets
- Option: Valve disc with reset spring made of stainless steel SS316 or Hastelloy®
- Sizes DN32 – DN300 PN6
- Op. pressure max. 10 bar, Temp. 0°C/+130°C



Swing Check Valves SSC Series

Ideally suited for safe non-return flow control of aggressive, fluidic media to be handled in process systems. Valves can be mounted horizontally or vertically between flanges acc. to DIN PN10/16 resp. ANSI 150lbs.

Operating Conditions

- Temperature range from -20°C (-4°F) up to +200°C (+392°F)
- Pressure range from full vacuum up to 10 bar (145 psi)

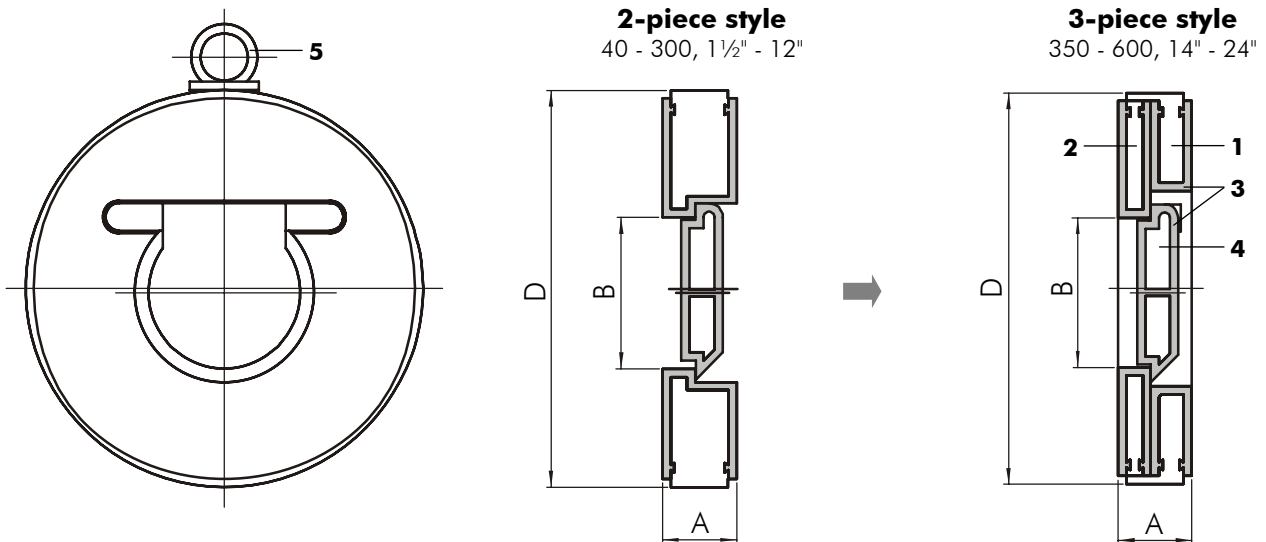
Testing / Marking

- Pressure- and tightness testing acc. to EN 12266-1, leakage rate A, and spark testing at 35 kV to assure lining integrity. Marking of valves on body and name plate acc. to EN 19.
- Material- resp. test certificate acc. to EN 10204-3.1

Standard Materials of Components

- | | |
|------------------------|---------------------------------------|
| 1 Body | Carbon steel, blue epoxy-coating |
| 2 Retainer Ring | Carbon steel, blue epoxy-coating |
| 3 Lining | Virgin PFA acc. to ASTM D3307 |
| 4 Disc/Hinge | SS316L, PFA-encapsulated |
| 5 Eye Bolt | Carbon steel, zinc-plated (10" – 24") |

Technical Data



Dimensions in mm (Inch = mm / 25.4 lbs = kg x 2.2)

DN	DIN ANSI	40 1½"	50 2"	80 3"	100 4"	150 6"	200 8"	250 10"	300 12"	350 14"	400 16"	450 18"	500 20"	600 24"
A		33	43	46	52	56	60	68	78	92	102	114	114	114
ØB		22	30	55	72	115	155	190	240	275	305	355	405	450
ØD DIN		92	107	142	162	218	273	328	378	438	489	539	594	696
ØD ANSI 150#		82	102	133	172	219	276	337	407	447	511	546	603	717
kg (weight)		1.5	2.5	3	5.5	8.8	15	26	40	65	90	105	122	145

Face to face acc. to DIN EN 558-1 range 20 (up to DN400/18")



Project-/Customer Data		Inquiry/Date:	Ref. Swissfluid
Company:		Contact Person:	Phone:
Address:		Function:	Fax:
ZIP/Place:		Department:	E-mail:
Project:		Phone direct:	Mobile:

Operating Conditions

Media / Chemical Composition:

<input type="checkbox"/> Liquid	<input type="checkbox"/> powdery	<input type="checkbox"/> crystallizing	<input type="checkbox"/> sticky	<input type="checkbox"/> Spez. Grav. ____
<input type="checkbox"/> gaseous	<input type="checkbox"/> Solids ____ %	<input type="checkbox"/> viscous	<input type="checkbox"/> Flow Velocity ____ m/s	
<input type="checkbox"/> abrasive	<input type="checkbox"/> Paricle ____ mm	<input type="checkbox"/> Visc. ____ cp	<input type="checkbox"/> Flow Rate ____ m ³ /h	

Pressure	Temperature	Mode	Installation / Environment	
max. ____ bar	max. ____ °C	<input type="checkbox"/> continuous	<input type="checkbox"/> horizontal	<input type="checkbox"/> Room dry
min. ____ bar	min. ____ °C	<input type="checkbox"/>	<input type="checkbox"/> vertical	<input type="checkbox"/> Room humid
			<input type="checkbox"/> _____	<input type="checkbox"/> outdoor

Remarks: _____

Specification of a compl. Swing Check Valve SSC/SSC-P Series

