

Fig No:EL-255AFS

API 607 4th Fire Safe Approved
1/2" ~ 2-1/2" (DN 15 ~ DN 65)

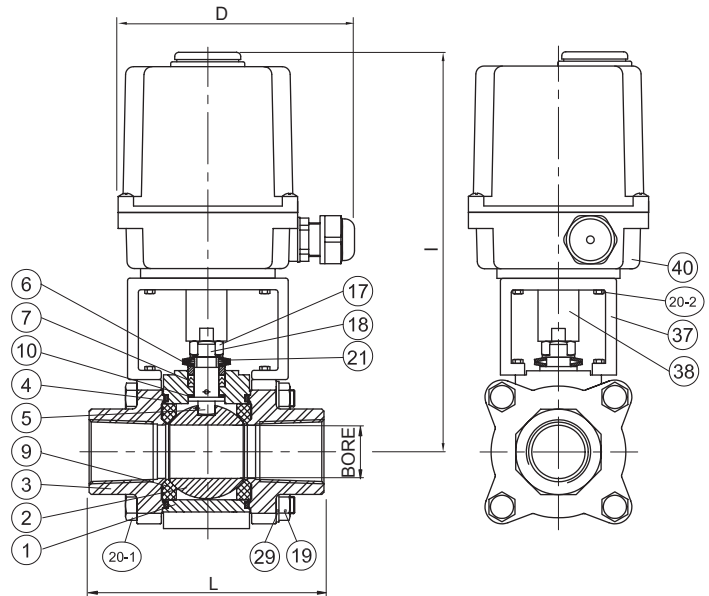


Valve Specification :

Design Specification According to ANSI B16.34 Class 600
Fire safe shall be in accordance with API 607
 Material : Stainless Steel, Carbon Steel or Special Alloy upon request
 Blow-out-proof stem design & Anti-static design
 Stem packing to comply with **TA-Luft** requirements
 Actuator Mounting shall be in accordance with ISO 5211
 In-Line Maintenance
 End Connection: Threaded / Socket Weld / Butt Weld
 Working Pressure : 1/2" ~ 1" 2000 Psi / 1-1/4" ~ 2" 1500 Psi
 Temperature Range : -4 to 356 °F (-20 to 180 °C)
 Pressure Test According to API 598
 Shell test by water : 1/2" ~ 1" 3000 Psi / 1-1/4" ~ 2" 2250 Psi

MATERIALS LIST

| NO | PART NAME | MATERIAL | Q'TY |
|------|-------------------|-------------------|-------|
| 1 | BODY | ASTM A351 GR.CF8M | 1 |
| 2 | END CAP | ASTM A351 GR.CF8M | 2 |
| 3 | BALL | ASTM A351 GR.CF8M | 1 |
| 4 | BODY SEAL | GRAPHITE | 2 |
| 5 | STEM | SS316 | 1 |
| 6 | FOLLOWER | SS304 | 1 |
| 7 | STEM PACKING | GRAPHITE | 1 SET |
| 9 | SEAT | RTFE. | 2 |
| 10 | THRUST WASHER | GRAPHITE + RTFE. | 1 |
| 17 | STEM NUT | SS304 | 1 |
| 18 | TAB WASHER | SS304 | 1 |
| 19 | BOLT NUT | SS304 | 4~12 |
| 20-1 | BOLT | SS304 | 4~12 |
| 20-2 | MOUNTING BOLT | SS304 | 8 |
| 21 | BELLEVILLE WASHER | SS301 | 1 SET |
| 29 | BOLT WASHER | SS304 | 4~12 |
| 37 | MOUNTING BRACKET | SS304 | 1 |
| 38 | ADAPTER | SS304 | 1 |
| 40 | ELECTRIC AUTUATOR | NYLON | 1 |



DIMENSIONS

Unit:mm

| SIZE | 1/2" | | | | 3/4" | | | | 1" | | | | 1-1/4" | | | | 1-1/2" | | | | 2" | | | | 2-1/2" | | | |
|----------------------|---------|---------|--------|--------|---------|---------|--------|--------|---------|---------|--------|--------|---------|---------|--------|--------|---------|---------|--------|--------|---------|---------|--------|--------|---------|---------|--------|--------|
| | UMS | | UM-1 | | UMS | | UM-1 | | UMS | | UM-1 | | UMS | | UM-1 | | UM-1 | | UM-2 | | UM-2 | | UM-3 | | | | | |
| ELECTRIC FIG. | | | | | | | | | | | | | | | | | | | | | | | | | | | | |
| VOLTAGE | 110 VAC | 220 VAC | 24 VAC | 24 DVC | 110 VAC | 220 VAC | 24 VAC | 24 DVC | 110 VAC | 220 VAC | 24 VAC | 24 DVC | 110 VAC | 220 VAC | 24 VAC | 24 DVC | 110 VAC | 220 VAC | 24 VAC | 24 DVC | 110 VAC | 220 VAC | 24 VAC | 24 DVC | 110 VAC | 220 VAC | 24 VAC | 24 DVC |
| BORE | 10.0 | | | | 15.0 | | | | 20.0 | | | | 25.0 | | | | 32.0 | | | | 38.0 | | | | 50.0 | | | |
| D | 136.2 | 136.2 | 136.2 | 148.0 | 136.2 | 136.2 | 136.2 | 148.0 | 136.2 | 136.2 | 136.2 | 148.0 | 136.2 | 136.2 | 136.2 | 148.0 | 148.0 | 148.0 | 148.0 | 148.0 | 148.0 | 148.0 | 148.0 | 148.0 | 148.0 | 148.0 | 200.0 | 200.0 |
| I | 147.3 | 147.3 | 147.3 | 193.8 | 146.5 | 146.5 | 146.5 | 193.0 | 150.5 | 150.5 | 150.5 | 197.0 | 200.0 | 200.0 | 200.0 | 200.0 | 204.0 | 204.0 | 204.0 | 204.0 | 252.3 | 252.3 | 252.3 | 252.3 | 274.3 | 274.3 | 254.3 | 254.3 |
| L | 64.8 | | | | 72.5 | | | | 85.4 | | | | 105.3 | | | | 111.0 | | | | 127.3 | | | | 142.8 | | | |